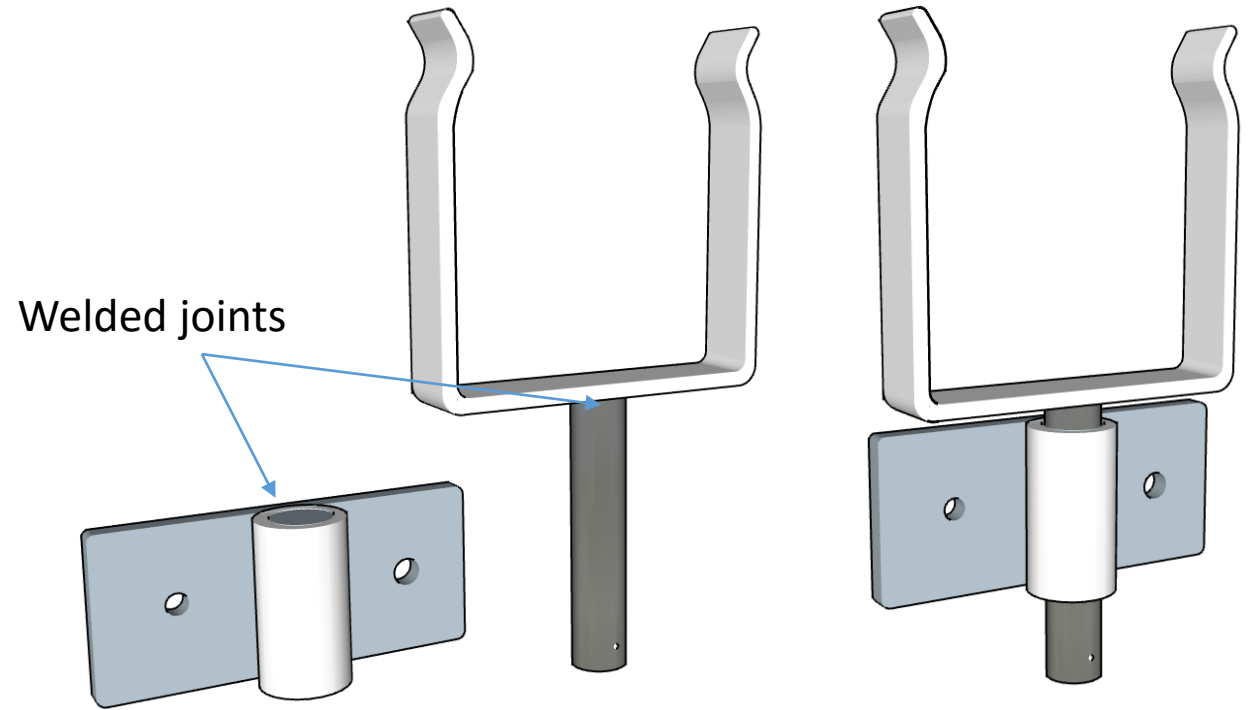
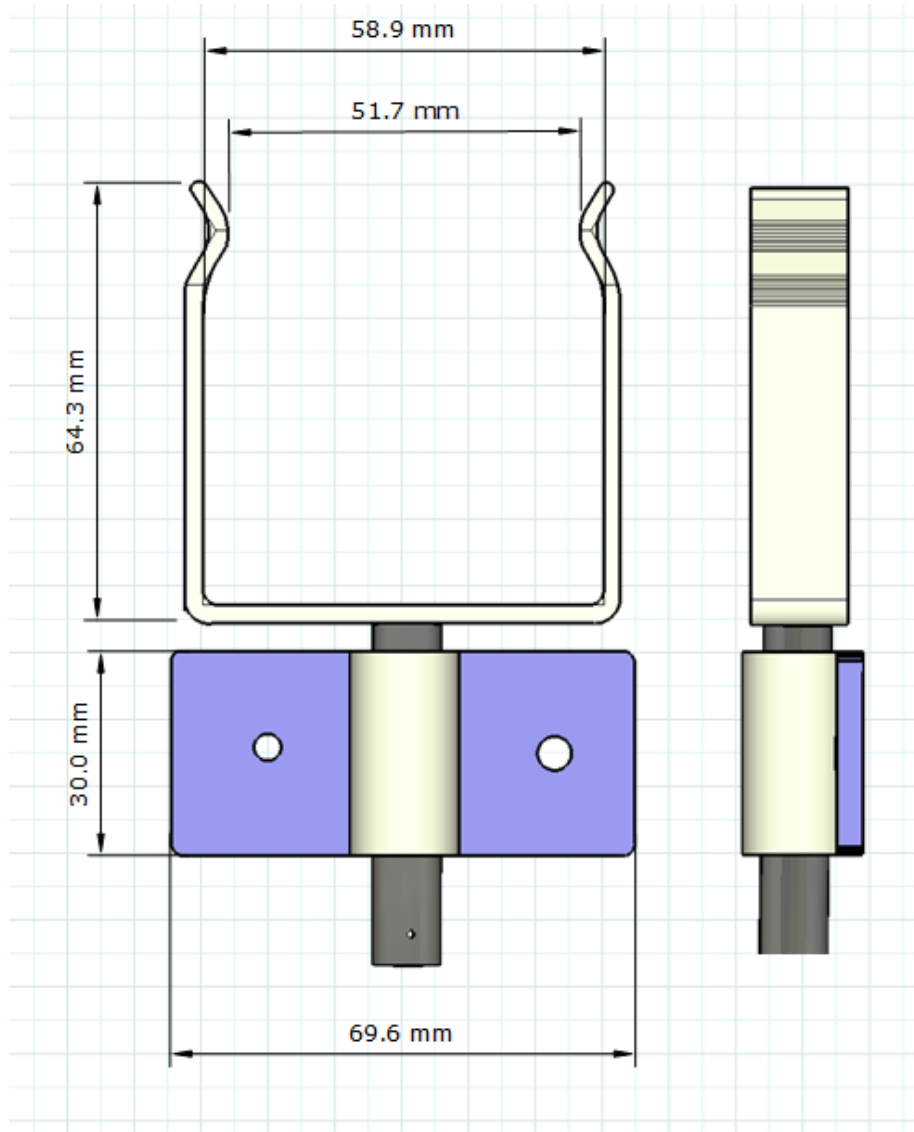


This is a traditional boat used by the Uganda Paralympic Rowing Federation to teach basic rowing

To make this easier to row, it needs rowlocks for the oars.



Square Rowlock to convert a traditional boat for rowing



Material: mild steel

Wooden blade made from 40mm square timber

